

'Apollo' Valves

SUBMITTAL SHEET

36H Series

Model PRH - High Capacity Pressure Reducing Valve



Job Name:	
Job Location:	
Engineer:	
Contractor:	
Tag:	
PO Number:	
Representative:	
Wholesale Distributor:	



DESCRIPTION

The Apollo® PRH (36H Series) Pressure Reducing Valves are designed for commercial, industrial, and institutional applications to reduce incoming water pressure for protection of plumbing system components and to reduce water consumption. The valves are made with proven ASTM grade bronze and stainless steel materials. The PRH provides high capacity flow with low pressure drop. It is designed with an integral by-pass relief to protect against thermal expansion downstream. The bottom access enables easy in-line cleaning or seat replacement.

FEATURES

- Sealed Spring Cage for Vault Installation
- Ultra-high Flow Capacity
- Internal Thermal Expansion By-pass
- Local Code Approvals
- Standard Factory Setting: 50 psi
- Three spring ranges cover 10 – 165 psi
- Stainless Steel Bolts and Spring
- 150 lb ANSI B16.24 Flange Connection Option
- In-line strainer option
- **100% MADE IN THE USA**

PERFORMANCE RATING

- Maximum Operating Pressure: up to 400 psig
- Temperature Range: 33 °F – 180 °F

APPROVALS

- ASSE 1003
- CSA B356



Not intended for potable water

STANDARD MATERIALS LIST

Part Name	Material
Body	Bronze, ASTM B584
Bonnet/Cap	Bronze, ASTM B584
Diaphragm	FDA approved EPDM W/ Polyester
Seat disc	FDA approved EPDM
Yoke	Bronze, ASTM B-16
Springs	Stainless Steel
O-Rings	FDA approved Nitrile

PART NUMBER

36H - X	X	X	-	OX
END CONNECTIONS	OPTIONS	SIZE		PRESSURE RANGE
2 - FNPT x FNPT (Standard)	0 - Standard	3 - 1/2"		01 - 25-75 psig (Standard)
7 - Flanged (2-1/2" - 3" only)	1 - With Y-Strainer	4 - 3/4"		02 - 10-35 psig
		5 - 1"		03 - 75-125 psig**
		6 - 1-1/4"		
		7 - 1-1/2"		
		8 - 2"		
		9 - 2-1/2"		
		0 - 3"		

MODEL NUMBER

PRH - X	X	X	X
END CONNECTIONS	ACCESSORIES	PRESSURE ADJ. RANGE	SIZE
T - Threaded	Y - with	Standard - 25-75 psig (set at 50)	12 - 1/2"
F - ANSI 150# Flanges (2-1/2" - 3" only)	Y-Strainer	H - 75-125 psig (set at 100)	34 - 3/4"
		L - 10-35 psig (set at 25)	1 - 1"
			114 - 1-1/4"
			112 - 1-1/2"
			2 - 2"
			212 - 2-1/2"
			3 - 3"

Apollo Valves, Manufactured by **Conbraco Industries, Inc.**
 701 Matthews Mint-Hill Road, Matthews, NC 28105 USA
www.apollovalves.com | (704) 841-6000

This specification is provided for reference only. Conbraco Industries Inc. reserves the right to change any portion of this specification without notice and without incurring obligation to make such changes to Conbraco products previously or subsequently sold. Please visit our website @ www.apollovalves.com for the most current information.



"Apollo" Valves

SUBMITTAL SHEET

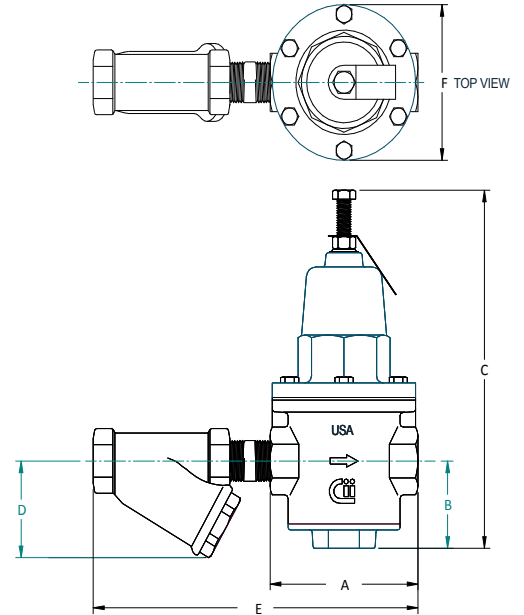
36H Series

Model PRH - High Capacity Pressure Reducing Valve

DIMENSIONS

Model Number	Part Number	Size (in.)	Dimensions (in.)						Wt. (lbs.) w/strainer	Wt. (lbs.) wo/strainer
			A	B	C	D	E	F		
PRH	36H-203	1/2	4.12	2.25	9.25	1.87	8.37	4.00	7.00	6.0
PRH	36H-204	3/4	4.12	2.25	9.25	2.44	9.00	4.00	8.00	6.0
PRH	36H-205	1	4.82	2.31	9.81	4.00	10.25	4.70	12.00	8.0
PRH	36H-206	1 1/4	6.19	3.19	13.20	3.37	12.50	6.50	29.00	24.0
PRH	36H-207	1 1/2	6.75	3.19	13.20	3.87	13.13	6.50	29.00	23.0
PRH	36H-208	2	8.12	3.50	16.00	4.63	16.00	7.63	47.00	38.0
PRH	36H-209	2 1/2	8.12	3.50	16.00	6.00	17.70	7.63	49.00	37.0
PRH	36H-200	3	10.37	4.00	19.12	7.00	20.50	9.75	87.00	70.0
Flanged										
PRH	36H-709	2 1/2	10.37	3.50	16.00	7.12	21.70	7.63	105.00	55.0
PRH	36H-700	3	12.50	4.00	19.12	8.12	24.50	9.75	132.00	104.0

* Nominal dimensions are shown. Allowances must be made for manufacturers' tolerances.

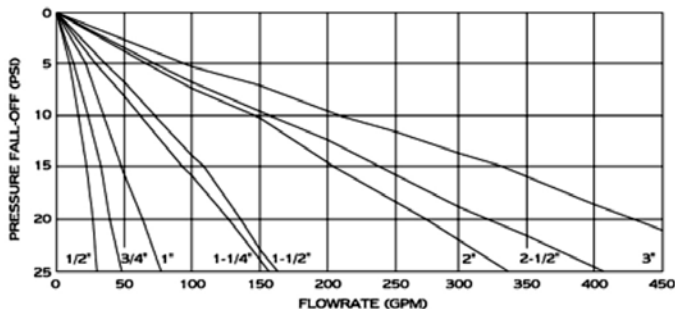


FLOW CAPACITY (GPM)

Pipe Size	Fall-Off* (PSI)	Pressure Differential (PSI)			Pipe Size	Fall-Off* (PSI)	Pressure Differential (PSI)		
		25	50	75			25	50	75
1/2"	5	8.5	10	11.5	1-1/2"	5	29.8	35.0	40.3
	10	13.6	16	18.4		10	61.5	72.3	83.1
	15	17.9	21	24.2		15	90.1	106.0	121.9
	20	21.3	25	28.8		20	113.1	133.0	153.0
3/4"	5	10.6	12.5	14.4	2"	5	55.3	65.0	74.8
	10	20.4	24.0	27.6		10	126.7	149.0	171.4
	15	28.1	33.0	38.0		15	174.3	205.0	235.8
	20	34.0	40.0	46.0		20	231.2	272.0	312.8
1"	5	17.0	20.0	23.0	2-1/2"	5	58.7	69.0	79.4
	10	29.8	35.0	40.3		10	132.6	156.0	179.4
	15	40.8	48.0	55.2		15	200.6	236.0	271.4
	20	51.0	60.0	69.0		20	271.2	319.0	366.9
1-1/4"	5	21.3	25.0	28.8	3"	5	80.8	95.0	109.3
	10	51.9	61.0	70.2		10	176.0	207.0	238.1
	15	80.8	95.0	109.3		15	282.5	332.4	382.3
	20	106.3	125.0	143.8		20	365.5	430.0	494.5

* Fall Off is the difference between the PRV's set pressure and the flowing pressure at any given demand.

PRH SERIES PRV FLOW RATE VS. PRESSURE FALL-OFF



Note: Flow curves are based on static conditions of 100 psi inlet pressure and 50 psi outlet pressure. Pressure Fall-off is the decrease in downstream regulated pressure when the flow increases.

Apollo Valves, Manufactured by **Conbraco Industries, Inc.**
 701 Matthews Mint-Hill Road, Matthews, NC 28105 USA
www.apollovalves.com | (704) 841-6000

This specification is provided for reference only. Conbraco Industries Inc. reserves the right to change any portion of this specification without notice and without incurring obligation to make such changes to Conbraco products previously or subsequently sold. Please visit our website @ www.apollovalves.com for the most current information.

